



HV Heart Retractor

Minimally invasive heart surgery
Maximum Results

Used by leading surgeons throughout the world!

Here's why...

- Innovative design allows for precise positioning for optimal viewing and access of the heart.
- Self-adjusting pivot blade eliminates stress on the heart by distributing pressure evenly, protecting heart tissue from damage during retraction.
- Expanding hinge blade provides even greater exposure by retracting twice as much heart tissue.
- Blade easily adjusts through a 60 degree range of motion for superior positioning and results. No need to manipulate the patient.



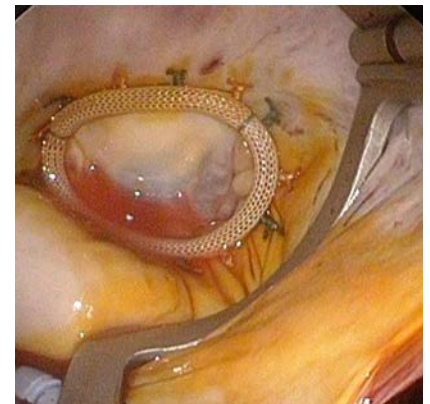
Protected by - US and International Patents
8,460,185 / 2,124,757

- Manufactured from the highest quality surgical stainless steel for strength and durability.
- Ergonomic, easy-to-grip, counter-balanced handle for ease of use.
- Co-invented, used and endorsed by world-renowned heart surgeon, Dr. Hugo Vanermen.

Minimally invasive heart surgery with maximum results starts with the HV Heart Retractor.



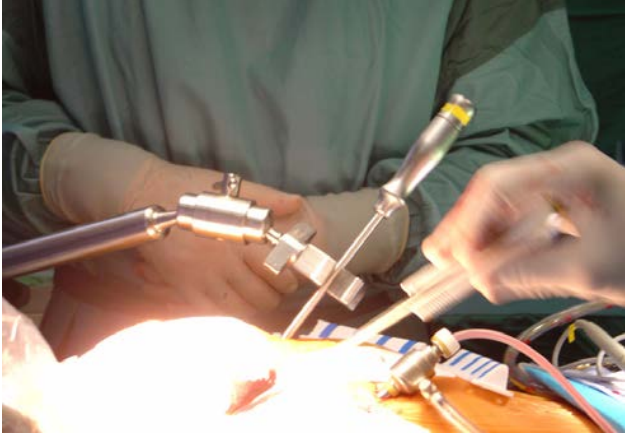
"The HV Retractor brings the surgeon back into his comfort zone"
Dr. Hugo Vanermen - Belgium



"The HV Retractor is essential. It is simply the best!"
Dr. Trevor Fayers - Australia



The HV Heart Retractor



Standard Set - #HV-2001

- 1- Handle
- 1- Standard Hinged Blade 40mm
- 1- Large Hinged Blade 50mm
- 1- Hex Screwdriver
- 1- Sterilization Tray

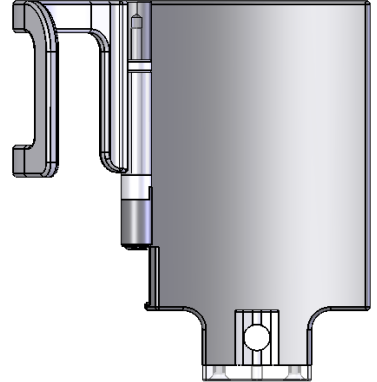
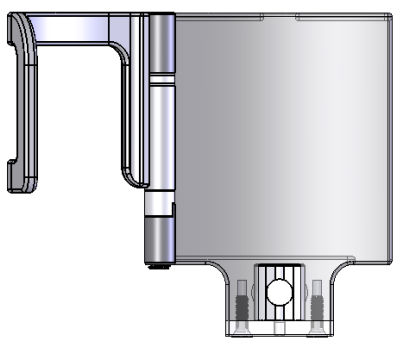


HV Handle

HV Hex Screwdriver

Small Hinged Blade

Large Hinged Blade



Custom blades available upon request

Distributed by:

USA Medical, Ltd.
 2800 Turnpike Drive, Hatboro, PA 19040
 T: +1-215-443-0536 F: +1-215-443-8990 877-900-4USB (4872)
www.usb-medical.com

