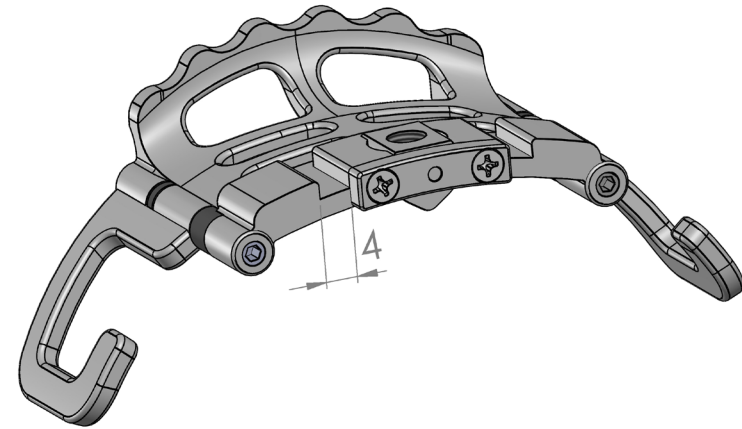
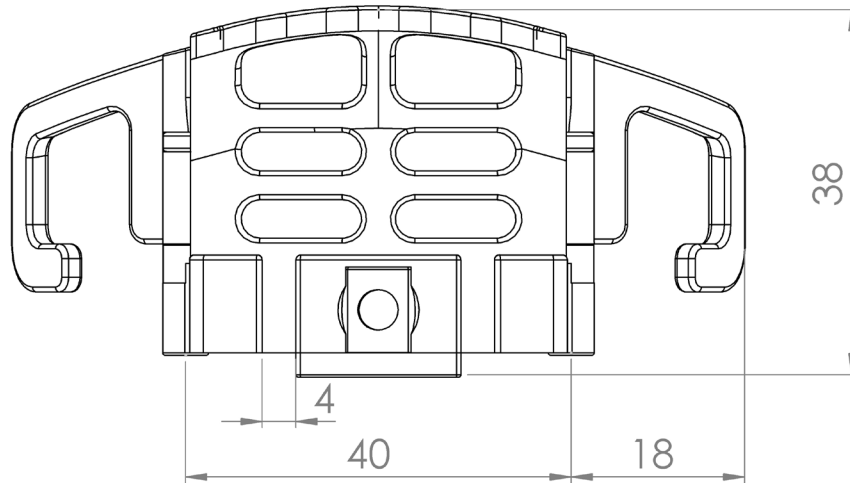


# USB MEDICAL HV Tricuspid Blade Sets

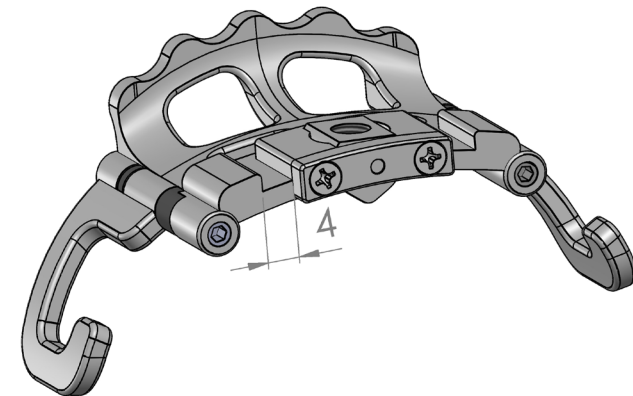
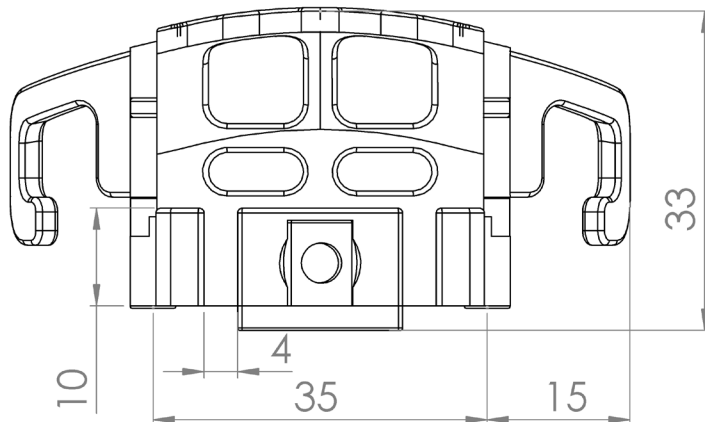
## Set includes:

1X 40mm Dual Hinge Blade - #CSV3

1X 35mm Dual Hinge Blade - #CSV6



US and International  
Patents Pending



Each blade fits any USB HV Retractor handle

# USB MEDICAL HV Tricuspid Blade Sets



## Dual Folding Hinge

Unique dual hinge design allows blade to be easily deployed inside the valve to quickly maximize viewing area.



US and International  
Patents Pending