

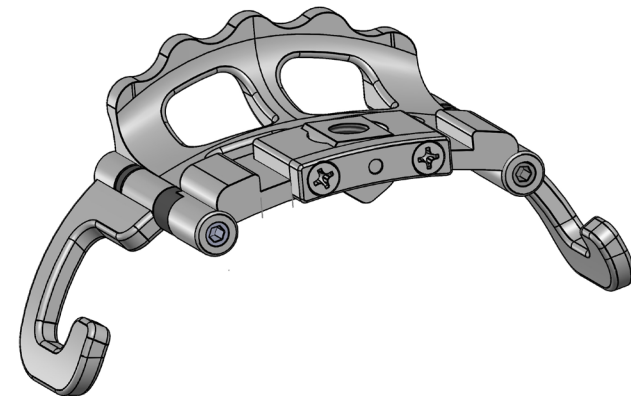
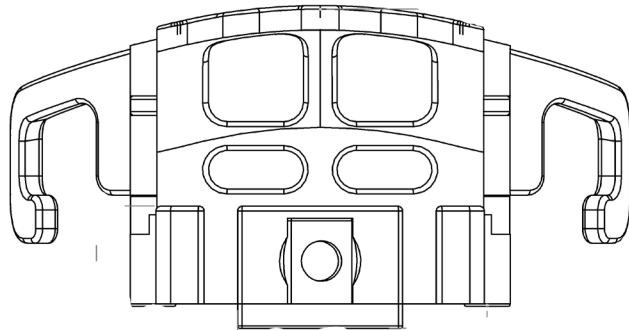
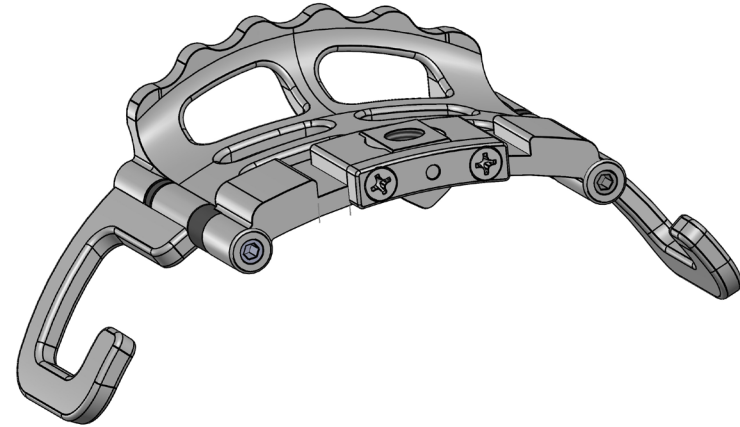
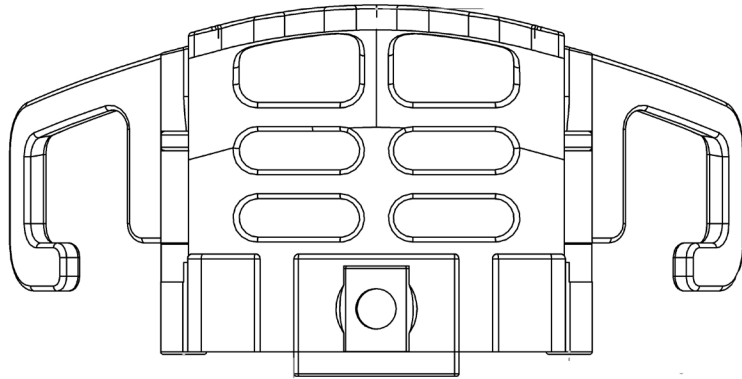
USB MEDICAL HV-CSV Tricuspid Blade Set

HV-CSV Blade Set Dimensions in mm

A set includes:

1X 40mm Dual Hinge Tricuspid Blade

1X 35mm Dual Hinge Tricuspid Blade



Each blade fits any USB HV Retractor handle

USB MEDICAL HV-CSV Tricuspid Blade Set

HV-CSV Blade Set Double Hinge

Unique shape and double hinge design allows for quick, easy placement and increased viewing area

